

STANDARD DETAILS
for
UTILITY
CONSTRUCTION

DISTRIBUTED by:



21410 N. 19th Ave. • Ste. 201 • Phoenix, AZ 85027
Ph: 623.580.9600 • Fx: 623.580.9659
www.gwresources.com

2007
ARIZONA
(Rev. 6/07)

100 SERIES: GENERAL INFORMATION

- 100-1 Index (Rev. 4/07)
- 110 Plan Symbols (Rev. 4/07)

200 SERIES: STREET INFORMATION

- 200 Water, Sewer & Reclaimed Water Trench

300 SERIES: WATER INFORMATION

- 310 1" Single or Double Water Service Installation
- 321 Lake Level Control Vault (Rev. 6/07)
- 360 Fire Hydrant Assembly
- 390 Water Sampling Station (Rev. 4/07)

400 SERIES: SEWER INFORMATION

- 404 Utility Locations (Rev. 4/07)
- 420 Water-Tight Manhole
- 440 Sewer Lateral Connection

6/07



21410 N. 19th Ave. • Ste. 201 • Phoenix, AZ 85027
Ph: 623.580.9600 • Fx: 623.580.9659
www.gwresources.com

Index

DETAIL NO.

100-1

FIRE HYDRANT



WATER METER



WATER PUMP



WELL



VALVE



AIR RELEASE VALVE



REDUCER



CAP



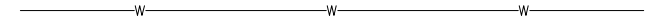
SEWER CLEANOUT



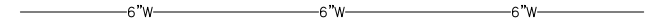
SEWER MANHOLE



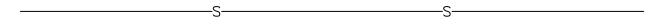
WATER LINE



WATER LINE w/SIZE



SEWER LINE



SEWER LINE w/SIZE



RECLAIMED WATER LINE



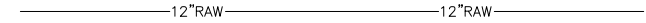
RECLAIMED WATER LINE w/SIZE



RAW WATER LINE



RAW WATER LINE w/SIZE



4/07

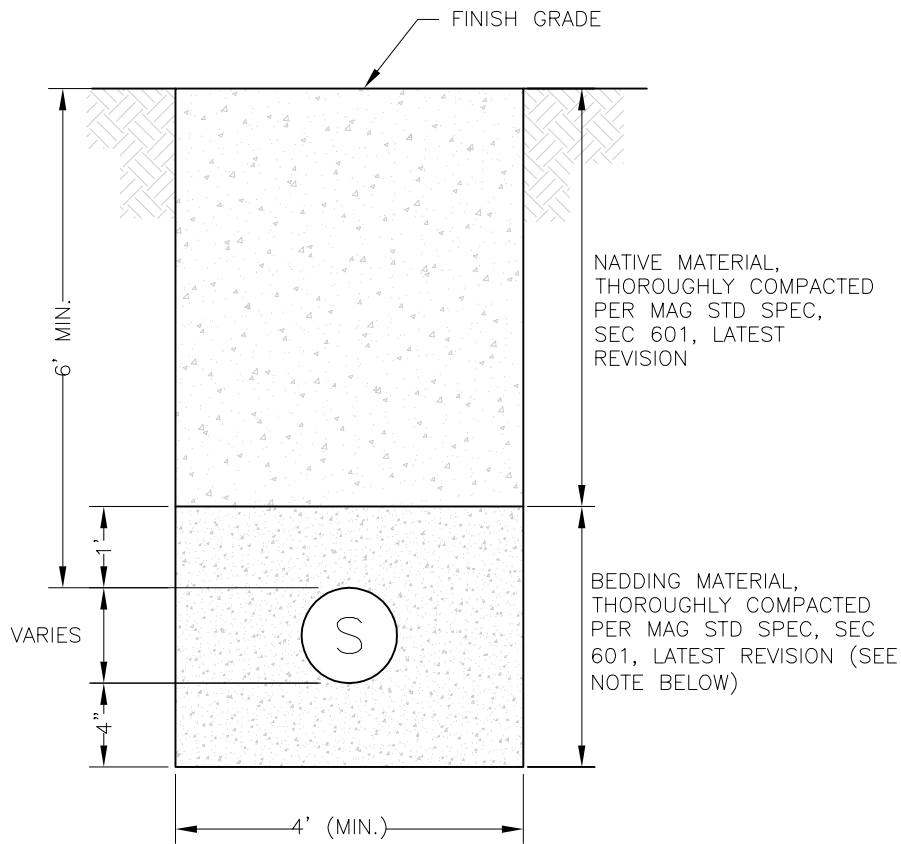


21410 N. 19th Ave. • Ste. 201 • Phoenix, AZ 85027
Ph: 623.580.9600 • Fx: 623.580.9659
www.gwresources.com

Plan Symbols

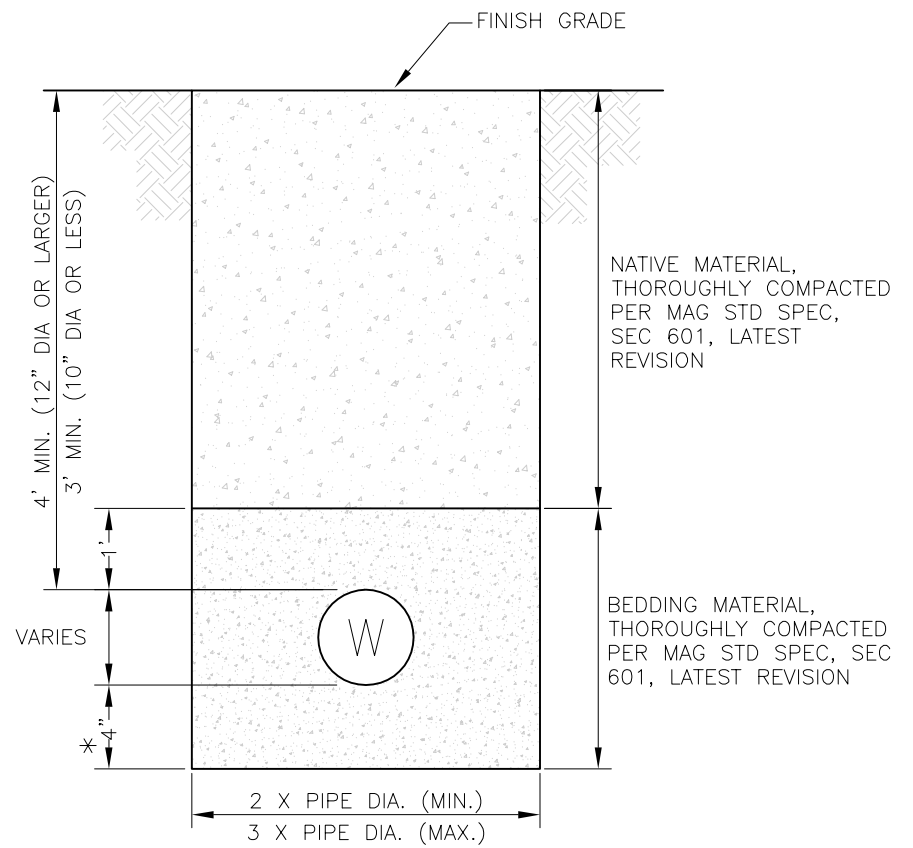
DETAIL NO.

110



NOTE:
CHIPS MAY BE USED FOR BEDDING MAT'L IN SEWER TRENCHES GREATER THAN 20 FT. DEEP

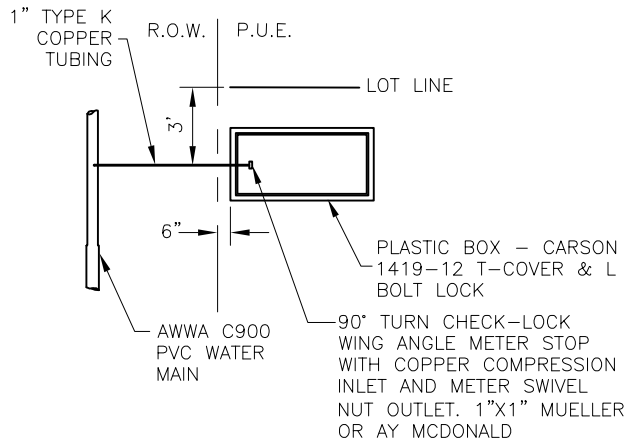
TYPICAL SEWER TRENCH
NTS



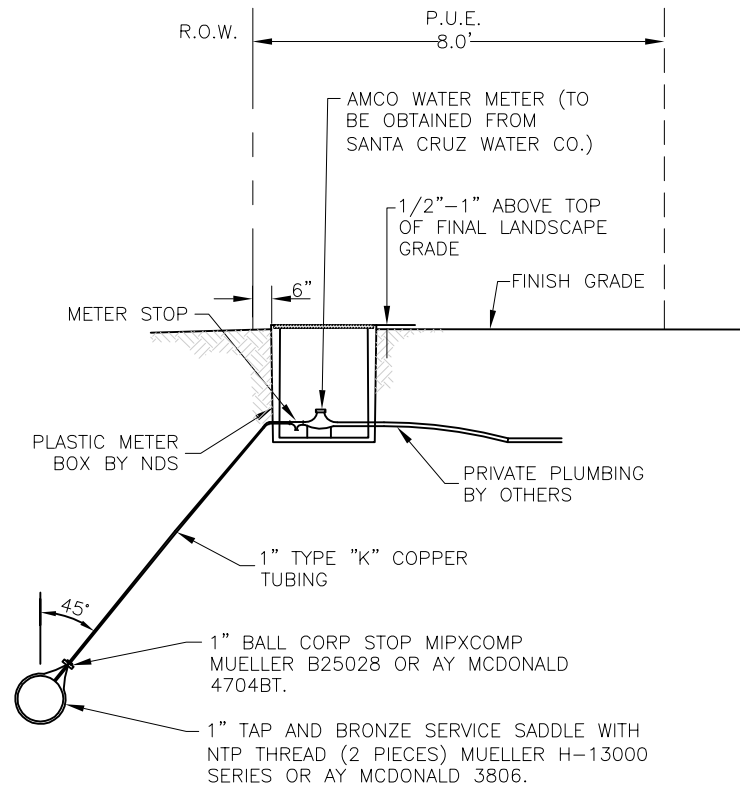
* REQ'D WHERE TRENCH FOUNDATION IS NOT AS PER MAG SPEC, SEC 601

TYPICAL POTABLE WATER AND RECLAIMED WATER TRENCH
NTS

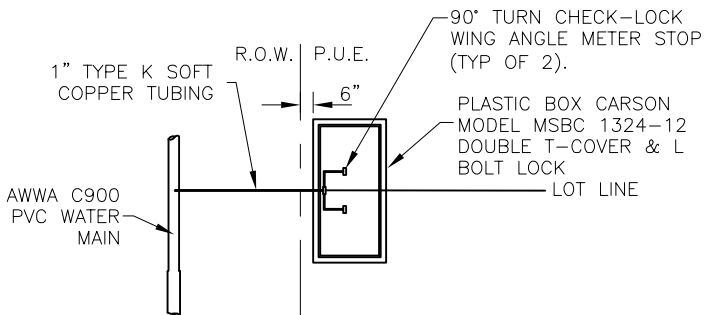
1/07



SINGLE WATER SERVICE
PLAN VIEW



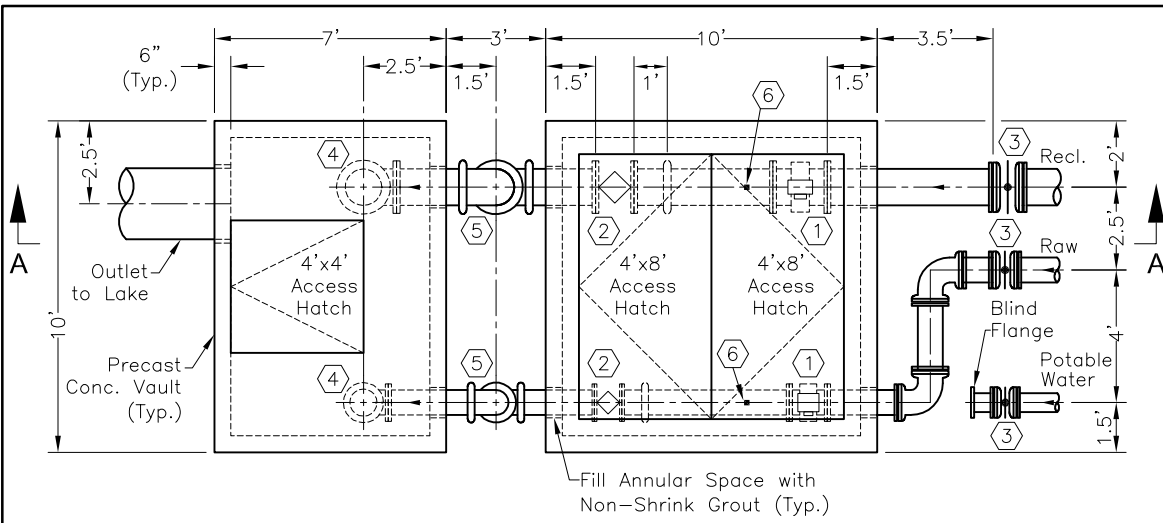
PROFILE VIEW



DOUBLE WATER SERVICE
PLAN VIEW

ASSEMBLY: 1"X3/4"X18" "U" BRANCH COMP X MIP MUELLER OR AY MCDONALD WITH COPPER COMPRESSION INLET AND MIP OUTLET. 1" ANGLE METER STOP FIP X METER NUT MUELLER OR AY MCDONALD. U BRANCH ASSEMBLY BY MUELLER OR AY MCDONALD.
NOTE: AN ALTERNATE ASSEMBLY SHALL BE COORDINATED WITH THE GLOBAL WATER INSPECTOR WHEN CONFLICTS ARISE WITH DRY UTILITIES.

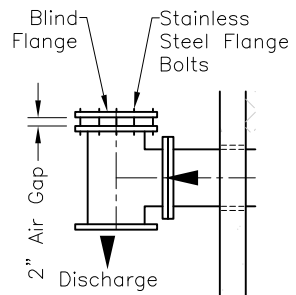
1/07



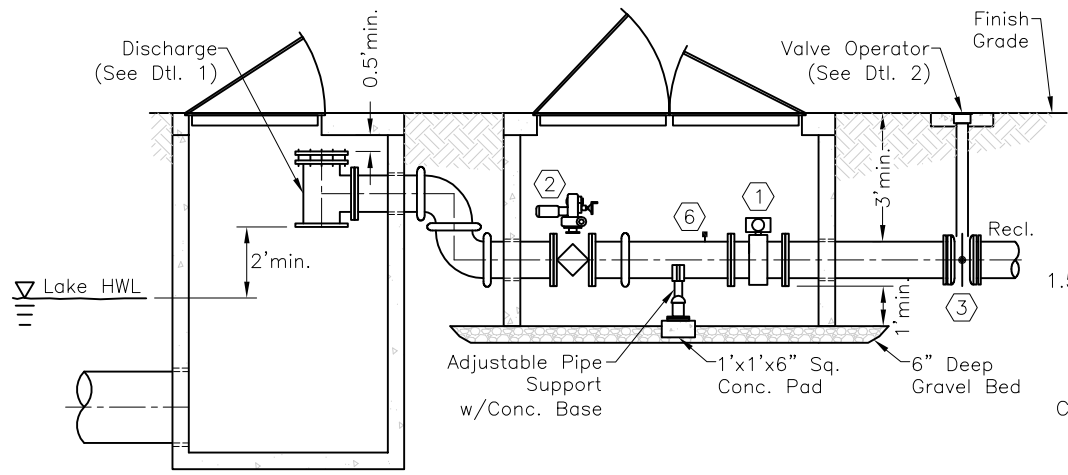
PLAN
NTS

- Construction Notes:**
- ① Install Flowmeter
 - ② Install Motorized Plug Valve
 - ③ Install MJxMJ Isolation Butterfly Valve
 - ④ Install Tee
 - ⑤ Install 2-90° Bends (Victaulic)
 - ⑥ Install PI or PIT (as Specified by Global Water)

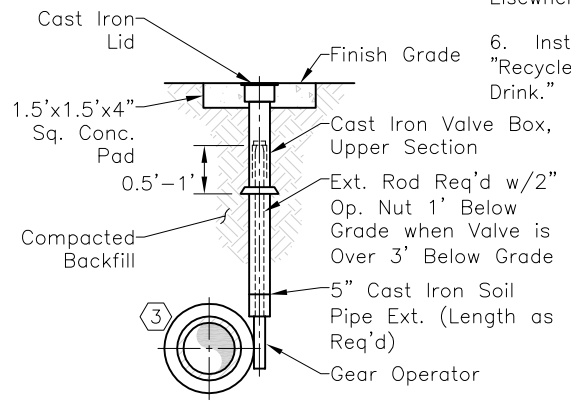
- General Notes:**
1. Pipe Dia. to be Specified by Irrigation Consultant and Approved by Global Water.
 2. All Piping to be Restrained Joint DIP. Buried Piping to be Poly-Wrapped per the following Color Schemes:
 - A. Reclaimed = Purple
 - B. Raw = Black
 - C. Potable = Blue
 3. Provide Hatches with 1/4" Diamond Plate Cover, Weather-Proof Gasket, Open Assist and Slam Lock. Doors shall Open 90° and Lock Open Automatically. Hinges shall be Recessed and Exterior Handle shall be Removable.



DETAIL 1
NTS



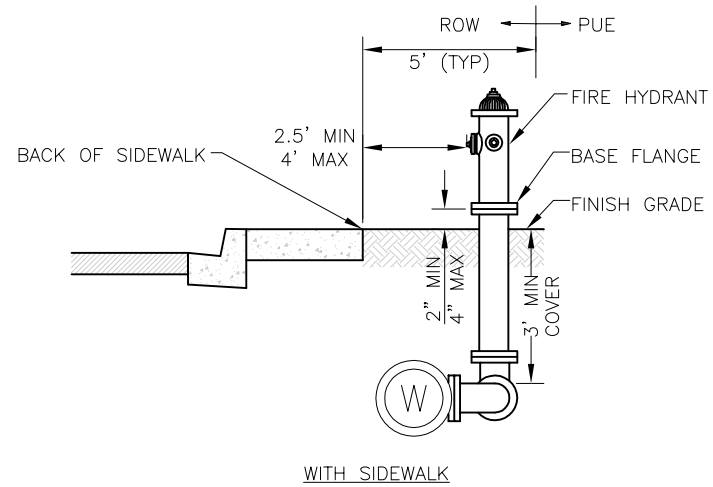
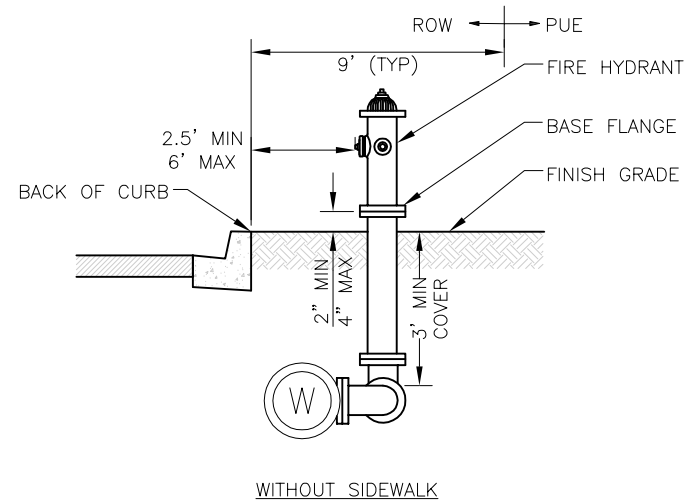
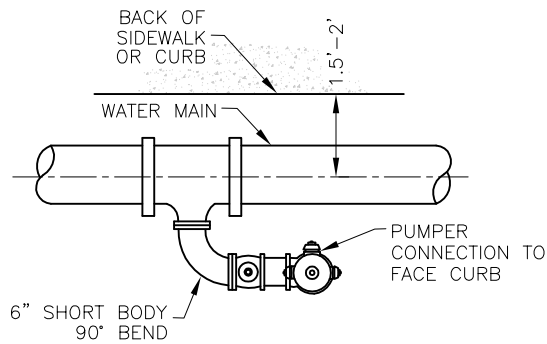
SECTION A-A
NTS



DETAIL 2
NTS

4. Provide Lake Level-Sensor per Electrical P&ID Drawings. Sensor must be Installed in the Lake itself.
5. Set Cover of Valve Operator Box and Conc. Pad 1/4" Below Grade in Pave. or Shoulder and Flush with Finish Grade Elsewhere.
6. Install Signage Indicating "Recycled Water - Do Not Drink."

6/07



NOTES:

1. ALL VALVE BOX COVERS SHALL BE LEVEL WITH THE ADJACENT TOP OF CURB OR BACK OF SIDEWALK. NO VALVES SHALL BE LOCATED IN SIDEWALKS.

2. ALL FIRE HYDRANTS SHALL BE CLOW MEDALLION WITH ONE 5-1/4" MAIN VALVE OPENING, ONE 4-1/2" NST PUMPER CONNECTION, AND TWO 2-1/2" NST HOSE CONNECTIONS. NO SUBSTITUTIONS ALLOWED.

1/07

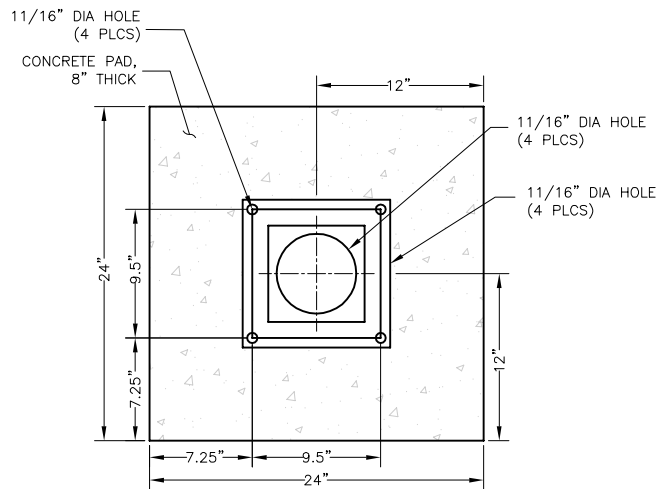


21410 N. 19th Ave. • Ste. 201 • Phoenix, AZ 85027
 Ph: 623.580.9600 • Fx: 623.580.9659
 www.gwresources.com

Fire Hydrant Assembly

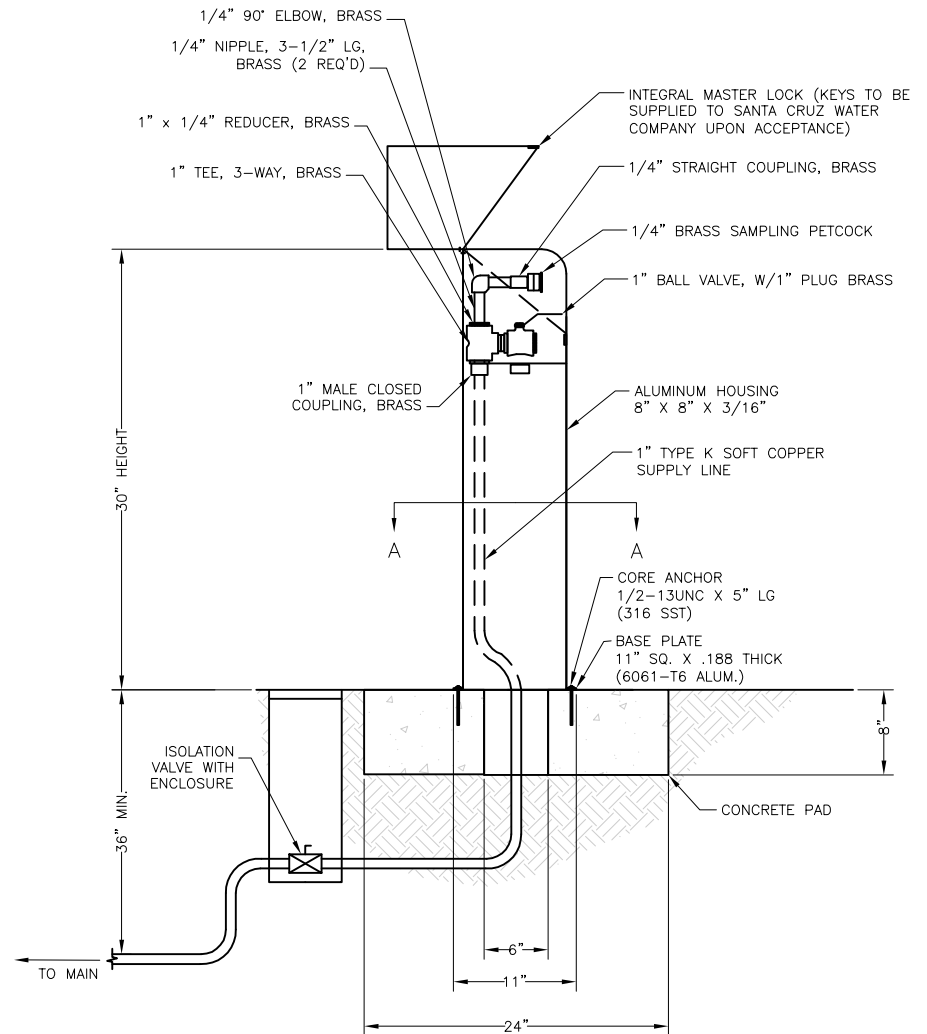
DETAIL NO.

360



SECTION A-A
N.T.S.

NOTE: WATER SAMPLING STATION TO BE AMERICAN MACHINE AND CONVEYOR CORPORATION (800-644-3899), MODEL EZ-01F (30" HEIGHT), OR APPROVED EQUAL.



1" FLUSH VALVE ASSEMBLY
N.T.S.

4/07

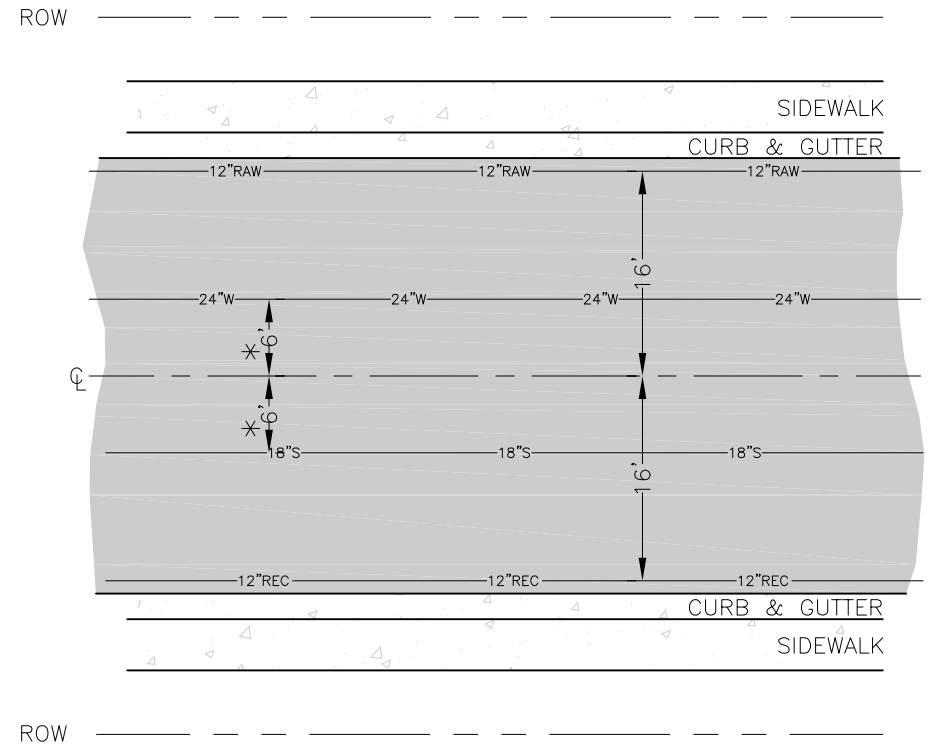
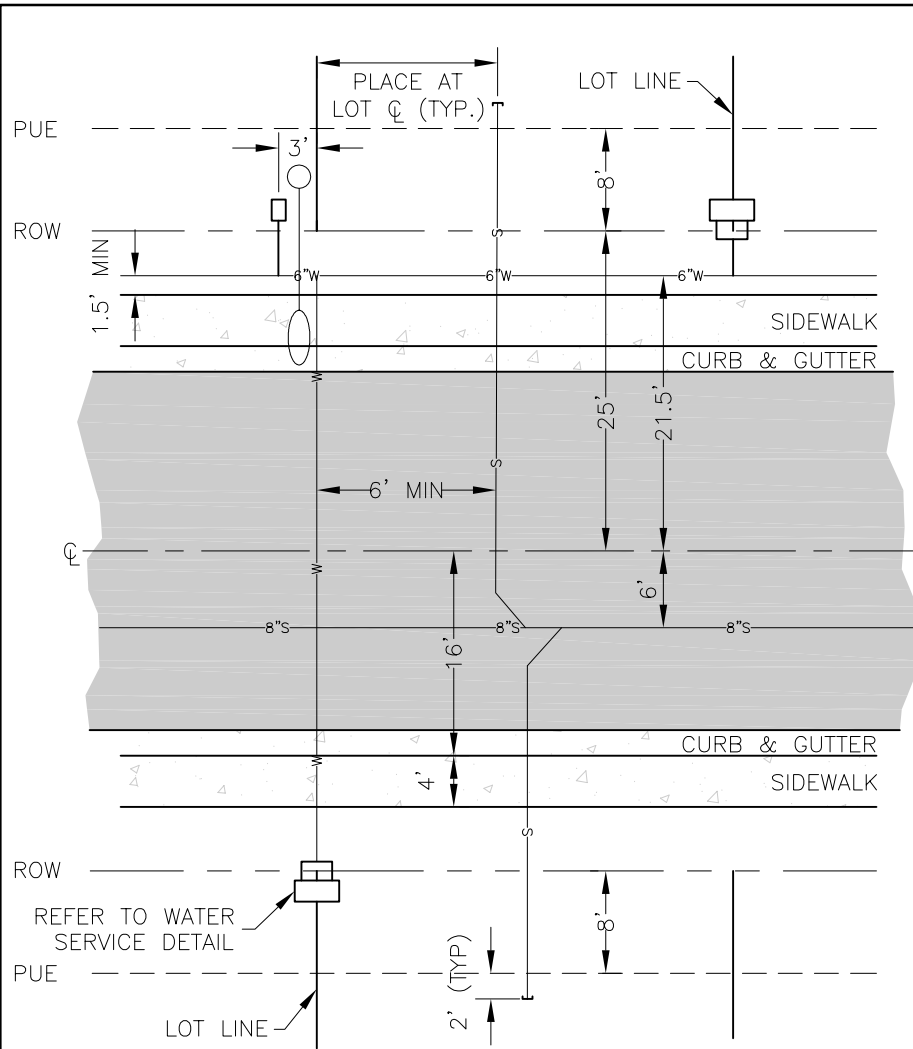


21410 N. 19th Ave. • Ste. 201 • Phoenix, AZ 85027
Ph: 623.580.9600 • Fx: 623.580.9659
www.gwresources.com

Water Sampling Station

DETAIL NO.

390



NOTE: LOCATE WATER MAINS ON THE NORTH & EAST SIDES OF THE STREET A MIN OF 1.5 FT BEHIND THE SIDEWALK. LOCATE SEWERS ON THE SOUTH & WEST SIDES OF THE STREET, 6 FT FROM THE CENTERLINE.

* WHERE CENTER MEDIANS ARE PRESENT; WATER AND SEWER MAINS SHALL BE LOCATED ON THE CENTERLINE OF THE INSIDE LANES.



INTERIOR STREETS



ARTERIAL STREETS

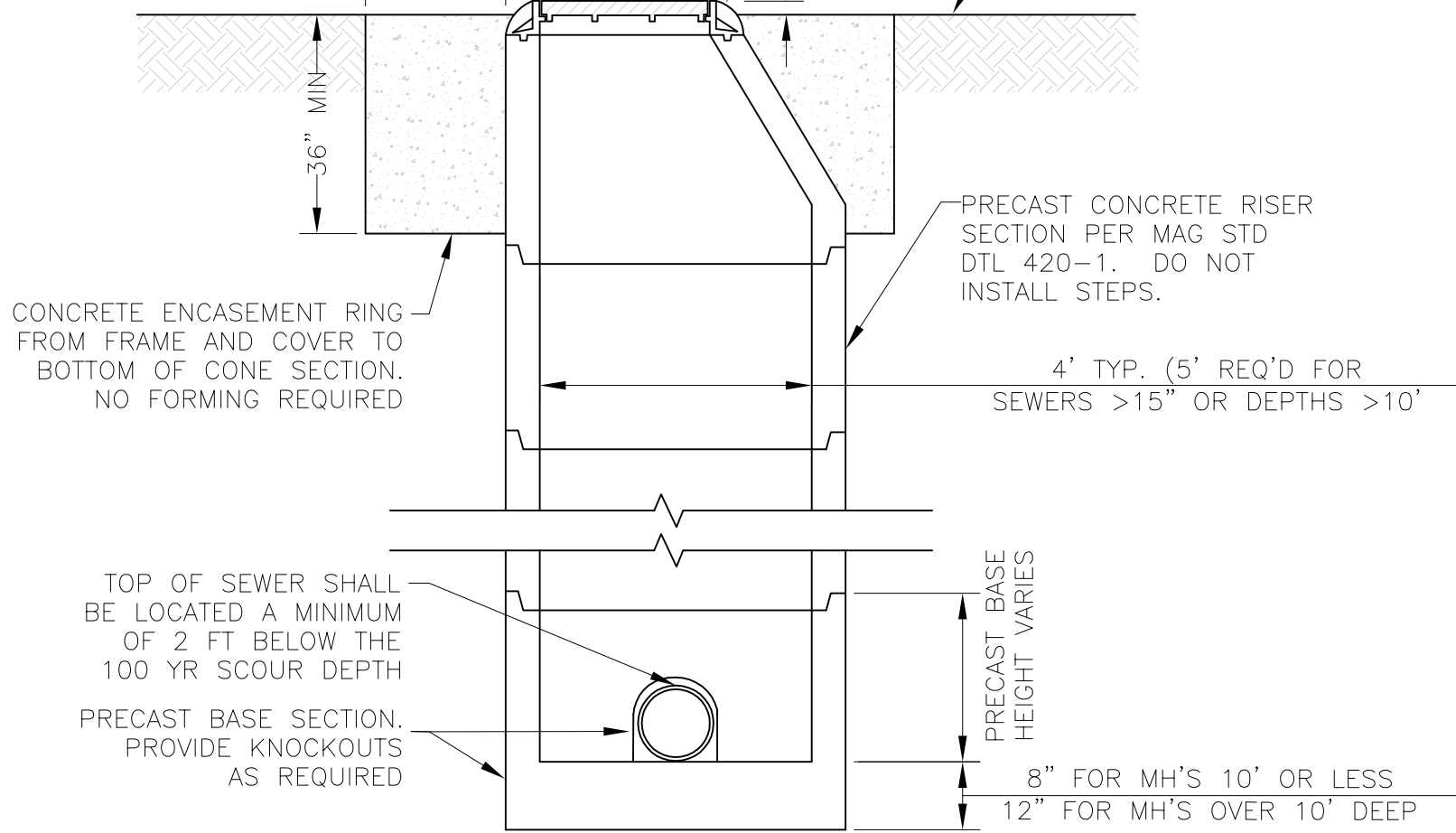
4/07

30" PRESSURE TIGHT MANHOLE
FRAME AND COVER PER
MAG STD DTL 523

ATTACH FRAME AND COVER
DIRECTLY TO CONE SECTION.
DO NOT INSTALL ADJUSTING RINGS

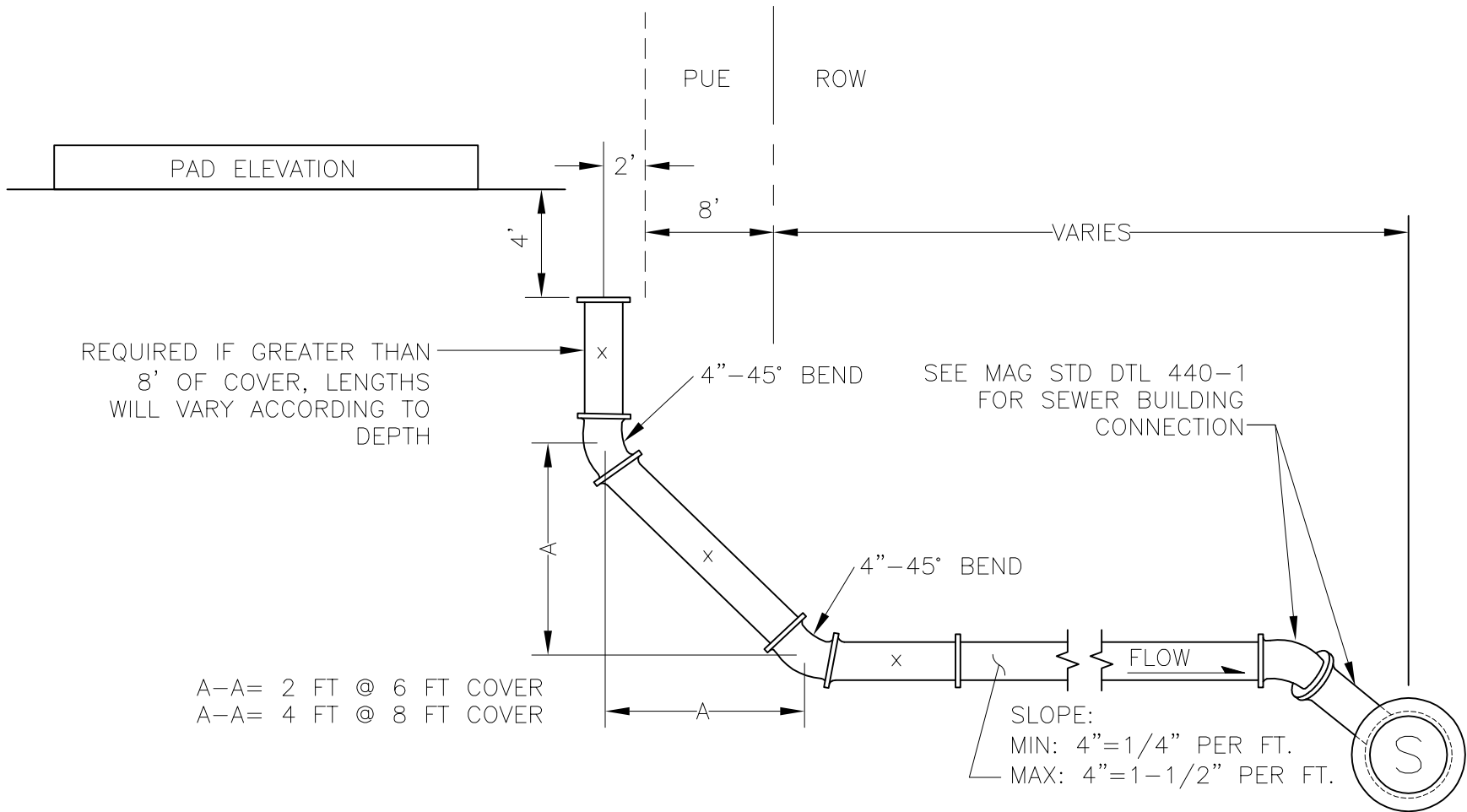
24" FOR 4' DIA MH'S
36" FOR 5' DIA MH'S
(TYP ALL AROUND)

WASH OR POND
BOTTOM



NOTE: COMPACT TO 95% MIN DENSITY PER MAG SPEC SEC 601

1/07



"x" PIPE LENGTHS VARY PER INDIVIDUAL LOT

1/07